

MODEM MAGNETICS

V.90 Modem Surface Mount Transformer

TM00402

- Designed for full compliance with V.90 requirements
- Excellent harmonic distortion characteristics
- Meets UL and CSA safety standards
- Minimum interwinding breakdown voltage of 1250 Vrms

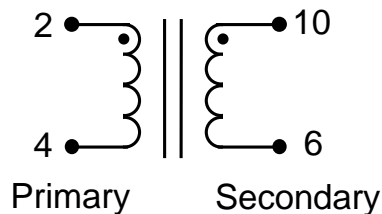
ELECTRICAL SPECIFICATIONS at 25° C

Part Number	Turns Ratio ± 1%	Insertion Loss dB max	Return Loss* dB typ	Frequency Response dB	DCR Ω ±10%		Harmonic Distortion dB max	Longitudinal Balance dB min	
		@ 1 kHz	@ 1 kHz	100 Hz - 4000 Hz	Pri	Sec	600 Hz @ -10dB	60 Hz - 1000 Hz	1000 Hz - 4000 Hz
S574-1000-18	1 : 1	2.5	37	±0.2	120	145	-86	70	60

* Measured with a 600Ω reference and a 340Ω load.

SCHEMATIC

S574-1000-18





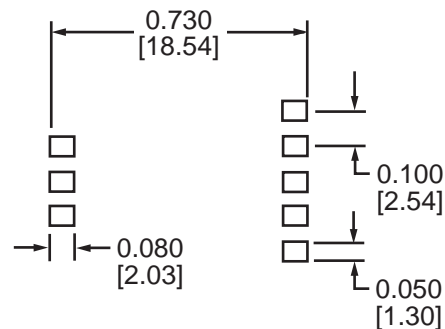
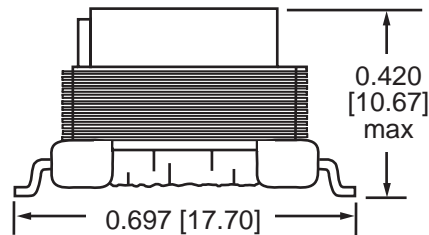
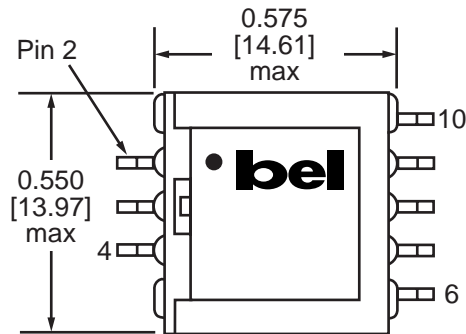
MODEM MAGNETICS

V.90 Modem Surface Mount Transformer

TM00402

MECHANICAL

S574-1000-18



Suggested PCB Pad Layout

Dimensions are in inches [millimeters].
Standard dimension tolerance is ± 0.010 [0.25] unless otherwise noted.

©2000 Bel Fuse Inc. Specifications subject to change without notice. 05.00

CORPORATE

Bel Fuse Inc.
198 Van Vorst Street
Jersey City, NJ 07302
Tel 201-432-0463
Fax 201-432-9542
www.belfuse.com

FAR EAST

Bel Fuse Ltd.
8F / 8 Luk Hop Street
San Po Kong
Kowloon, Hong Kong
Tel 852-2328-5515
Fax 852-2352-3706
www.belfuse.com

EUROPE

Bel Fuse Europe Ltd.
Preston Technology Management Centre
Marsh Lane, Suite G7, Preston
Lancashire, PR1 8UD, U.K.
Tel 44-1772-556601
Fax 44-1772-888366
www.belfuse.com